

High-Performance Synchronous Buck EVM Using the TPS51117

Contents

1	Hardware	1
---	----------------	---

List of Figures

1	TPS51117RGY Evaluation Module (1.05 V at 10 A) Schematic Diagram	2
2	Top Layer Copper	4
3	Layer 2 (Internal 1) Copper	4
4	Layer 3 (Internal 2) Copper	5
5	Bottom Layer Copper	5
6	Test Setup	6

List of Tables

1	TPS51117EVM Bill of Materials	2
---	-------------------------------------	---

1 Hardware

1.1 Operating Specification, TPS51117

PARAMETER		TEST CONDITIONS	MIN	TYP	MAX	UNIT
Input voltage range(V5IN)			4.5		5.5	V
Input voltage range(Vbat)			6		21	V
VOUT	Output voltage	Configuration (of EVM)		1.05		V
	Operating frequency	TON : adjustable		350k	400k	Hz
	Output current				10	A
	Current limit			15		A

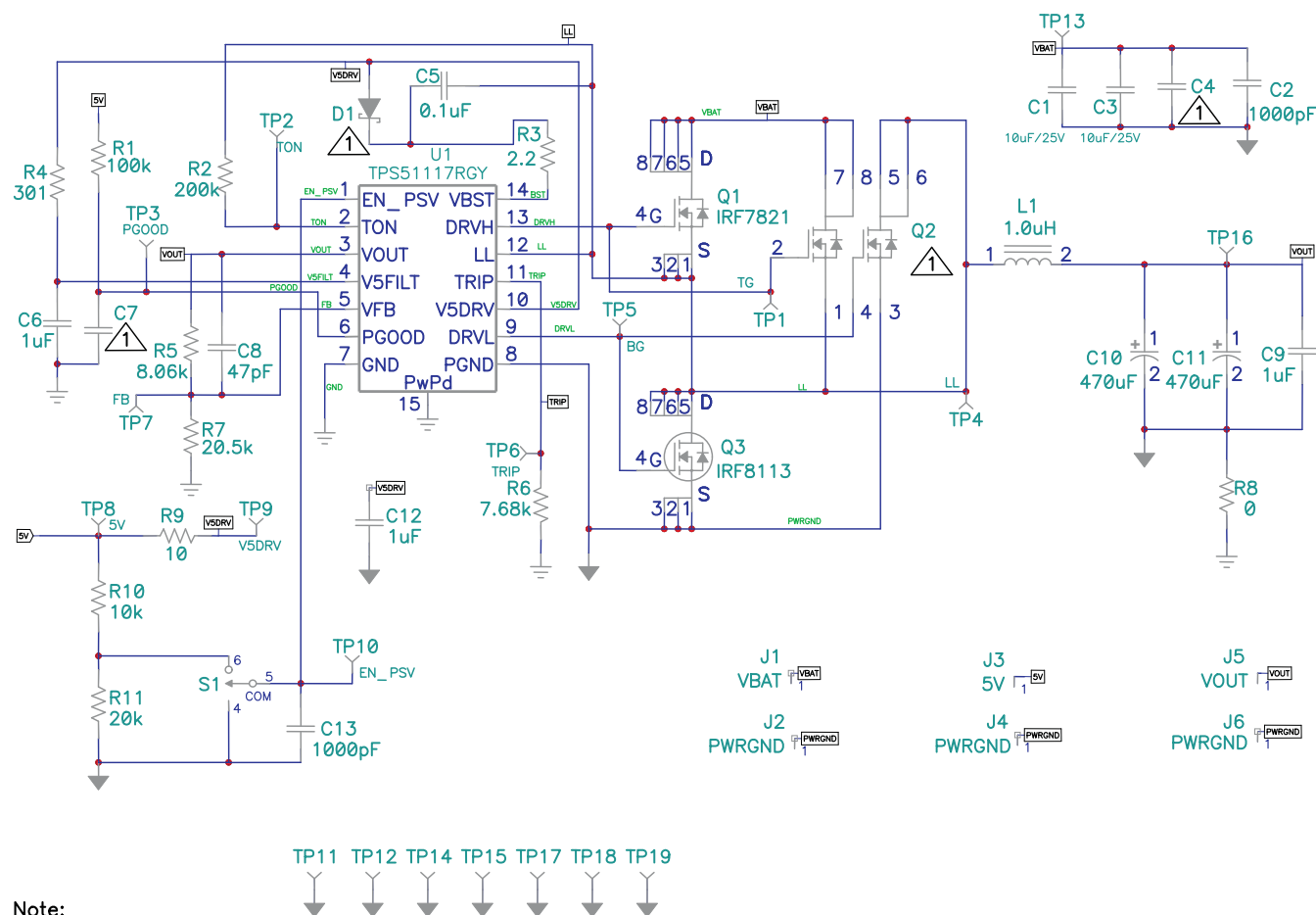
1.2 Features

The TPS51117 evaluation module (EVM) is designed to evaluate the performance and characteristics of TI's cost optimized, D-CAP™ mode, synchronous buck controller, TPS51117. The three main features of this evaluation module follow.

1. Multiple footprint designs support multiple MOSFET configurations.
2. Abundant test points provide users with great convenience. See test point summary table.
3. Although two TPS51117 package styles are available, the EVM is designed to demonstrate the QFN14 package.

D-CAP is a trademark of Texas Instruments.

1.3 Schematic



Note:

△ Do not install component.

Figure 1. TPS51117RGY Evaluation Module (1.05 V at 10 A) Schematic Diagram

1.4 Bill of Materials

Table 1 presents The TPS51117EVM bill of materials.

Table 1. TPS51117EVM Bill of Materials

RefDes	Pattern Name	Value	Part Number	MFR
EVM Configuration 1.05 V at 10 A BOM				
C5	C603	0.1µF	VJ0603Y104KXXAC	Vishay
C12, C6	C603	1µF, 16V	C1608X7R1C105K	TDK
C8	C603	47pF	VJ0603A470JXAAC	Vishay
C2, C13	C603	1000pF	VJ0603Y102KXAAC	Vishay
C4	C603	Not Installed	VJ0603Y102KXAAC	Vishay
C7	C603	Not Installed	VJ0603Y103KXAAC	Vishay
C9	C0805	1µF, 25V	C2012X7R1E105K	TDK
C1, C3	C1206	10µF, 25V	ECJ-3YB1E106K	Panasonic
C10, C11	CAP_POSCAP_D	470µF	2R5TPE470MC	Sanyo
J3	HEADER_8952	5V	1582-2	Keystone

Table 1. TPS51117EVM Bill of Materials (continued)

RefDes	Pattern Name	Value	Part Number	MFR
J2	HEADER_8952	PWRGND	1582-2	Keystone
J4	HEADER_8952	PWRGND	1582-2	Keystone
J6	HEADER_8952	PWRGND	1582-2	Keystone
J1	HEADER_8952	VBAT	1582-2	Keystone
J5	HEADER_8952	VOUT	1582-2	Keystone
D1	SOD-123	Not Installed	MBR0530Tx	On Semi
Q2	SO8	Not Installed	Si4944DY	Siliconix
L1	IND_IHLP-5050	1.0 μ H	IHLP5050CEER1R0M01	Vishay
Q1	SO8	IRF7821	IRF7821	IR
Q3	SO8	IRF8113	IRF8113	IR
R8	R603	0	STD	Vishay
R3	R603	2.21	STD	Vishay
R6	R603	7.68k	STD	Vishay
R5	R603	8.06k	STD	Vishay
R9	R603	10	STD	Vishay
R4	R603	301	STD	Vishay
R10	R603	10k	STD	Vishay
R11	R603	20k	STD	Vishay
R7	R603	20.5k	STD	Vishay
R1	R603	100k	STD	Vishay
R2	R603	200k	CRCW06032003FKTA	Vishay
S1	SW_1P3T	G13AP	G13AP	NKK
U1	QFN14	TPS51117RGY	TPS51117RGY	TI
Test Points Summary				
TP1	TP-SMALL	TG	5002	Keystone
TP2	TP-SMALL	Not Installed	5002	Keystone
TP3	TP-SMALL	PGOOD	5002	Keystone
TP4	TP-SMALL	LL	5002	Keystone
TP5	TP-SMALL	BG	5002	Keystone
TP6	TP-SMALL	Not Installed	5002	Keystone
TP7	TP-SMALL	Not Installed	5002	Keystone
TP8	TP-SMALL	5V	5002	Keystone
TP9	TP-SMALL	V5DRV	5002	Keystone
TP10	TP-SMALL	EN_PSV	5002	Keystone
TP11	TP-SMALL	Not Installed	5002	Keystone
TP12	TP-SMALL	GND	5002	Keystone
TP13	TP-SMALL	VBAT	5002	Keystone
TP14	TP-SMALL	GND	5002	Keystone
TP15	TP-SMALL	GND	5002	Keystone
TP16	TP-SMALL	VOUT	5002	Keystone
TP17	TP-SMALL	GND	5002	Keystone
TP18	TP-SMALL	GND	5002	Keystone
TP19	TP-SMALL	Not Installed	5002	Keystone
Hardware Summary				
Standoff	0.44x0.20 Black Bumpons (Self adhesive polyurethane)	Attach to 4 bottom corners	SJ5003-0	3M (Digi-Key)

1.5 Board Layout Using TPS5117RGY (QFN 14)

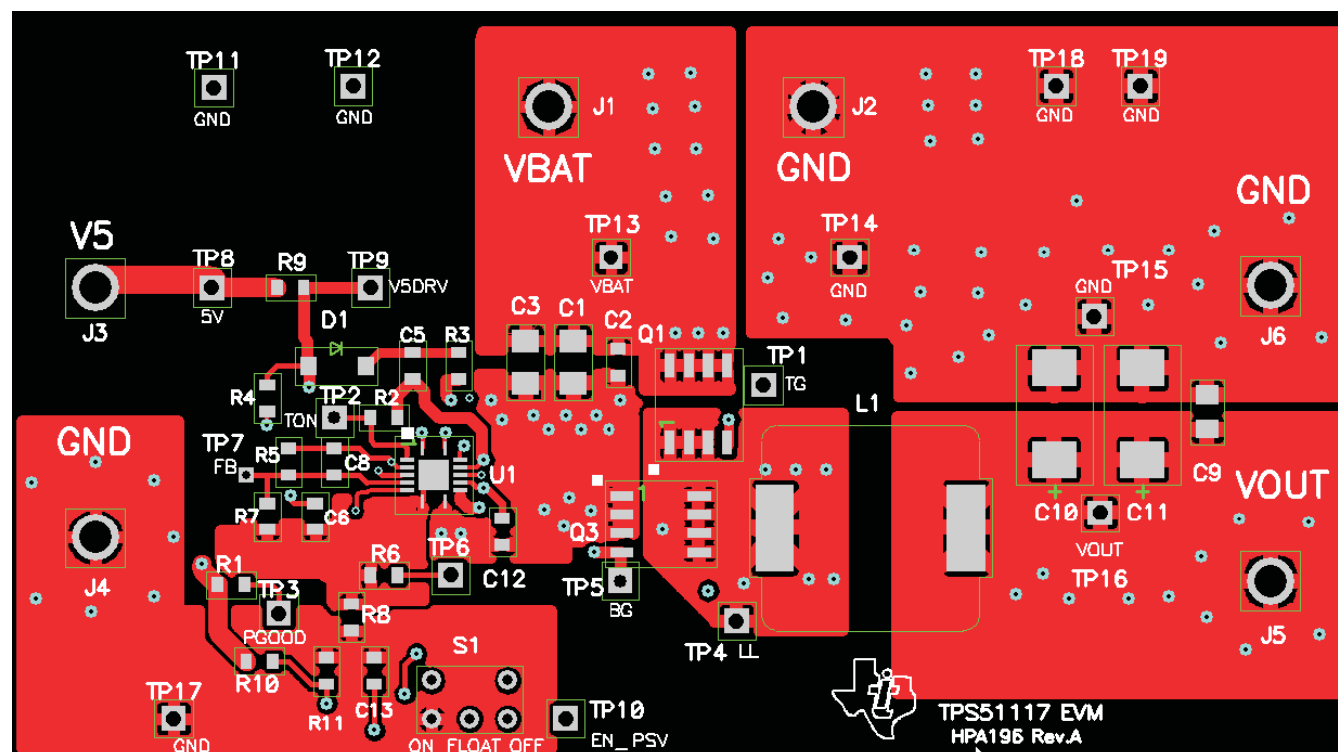


Figure 2. Top Layer Copper

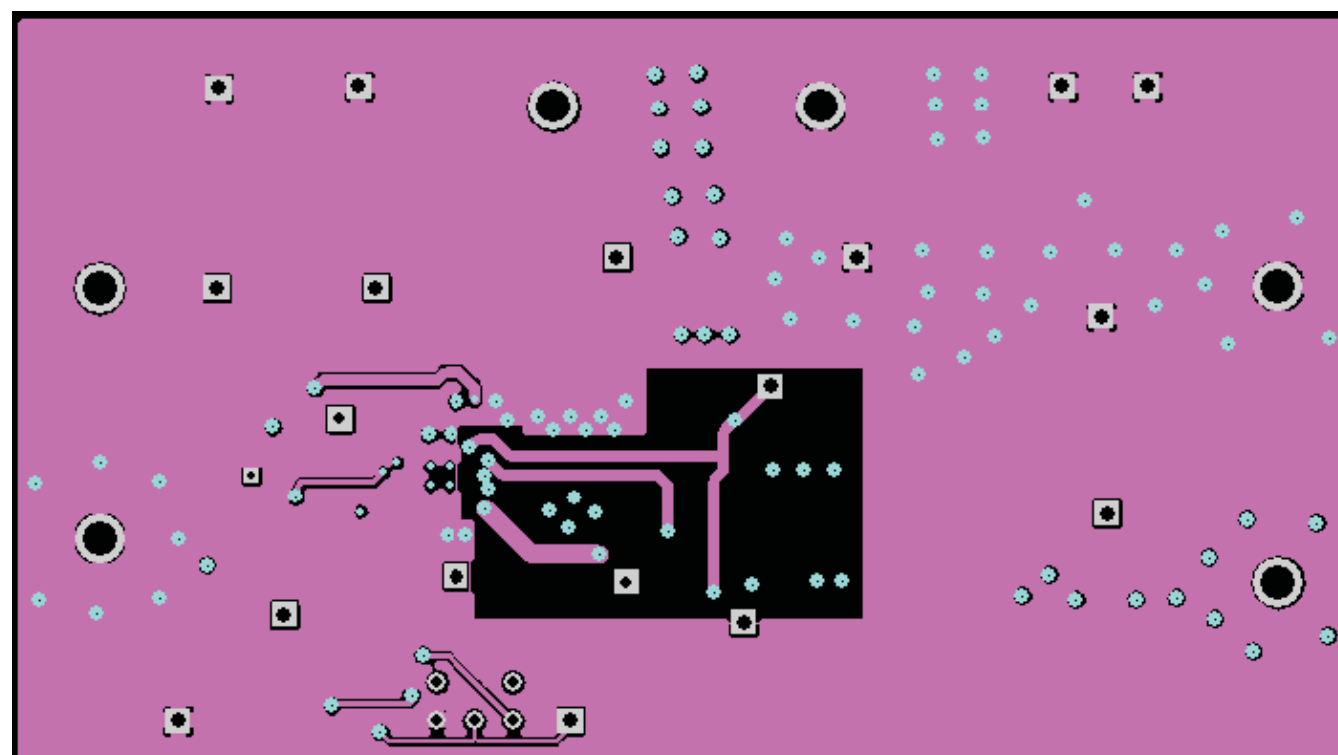


Figure 3. Layer 2 (Internal 1) Copper

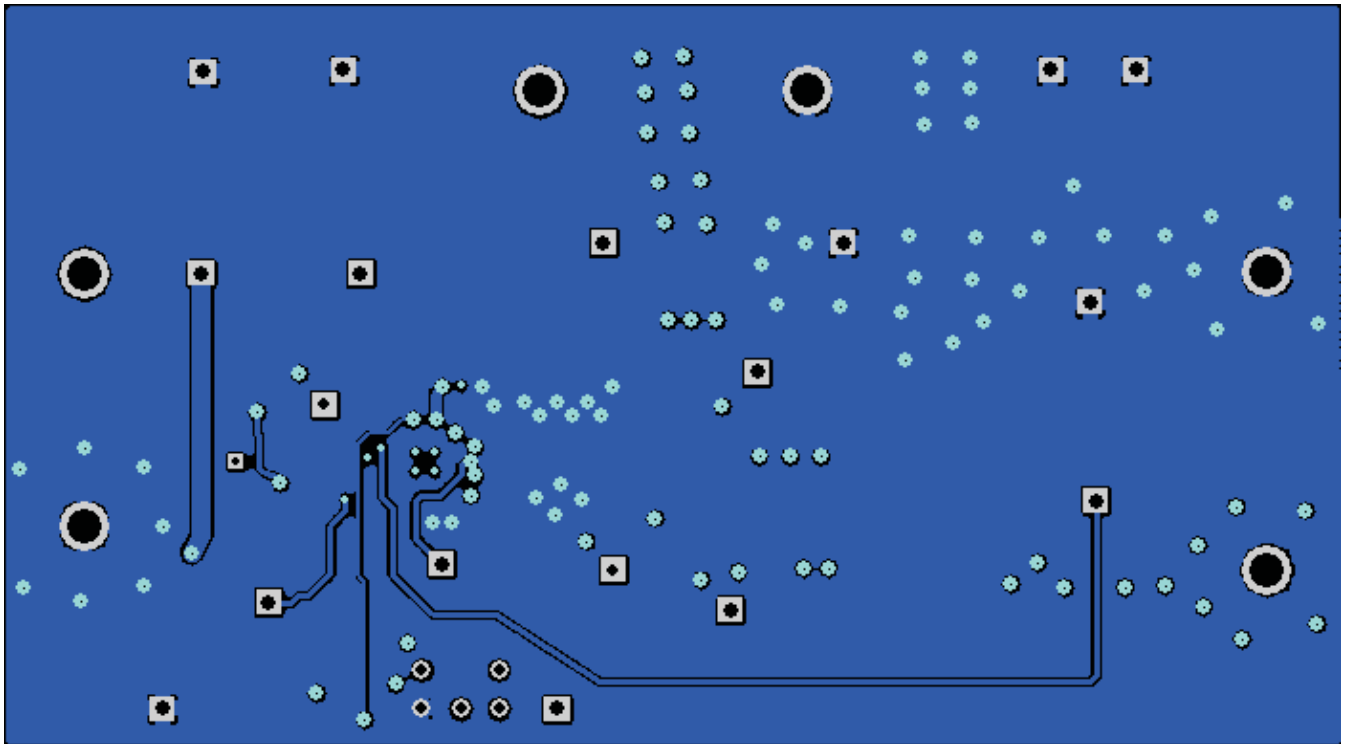


Figure 4. Layer 3 (Internal 2) Copper

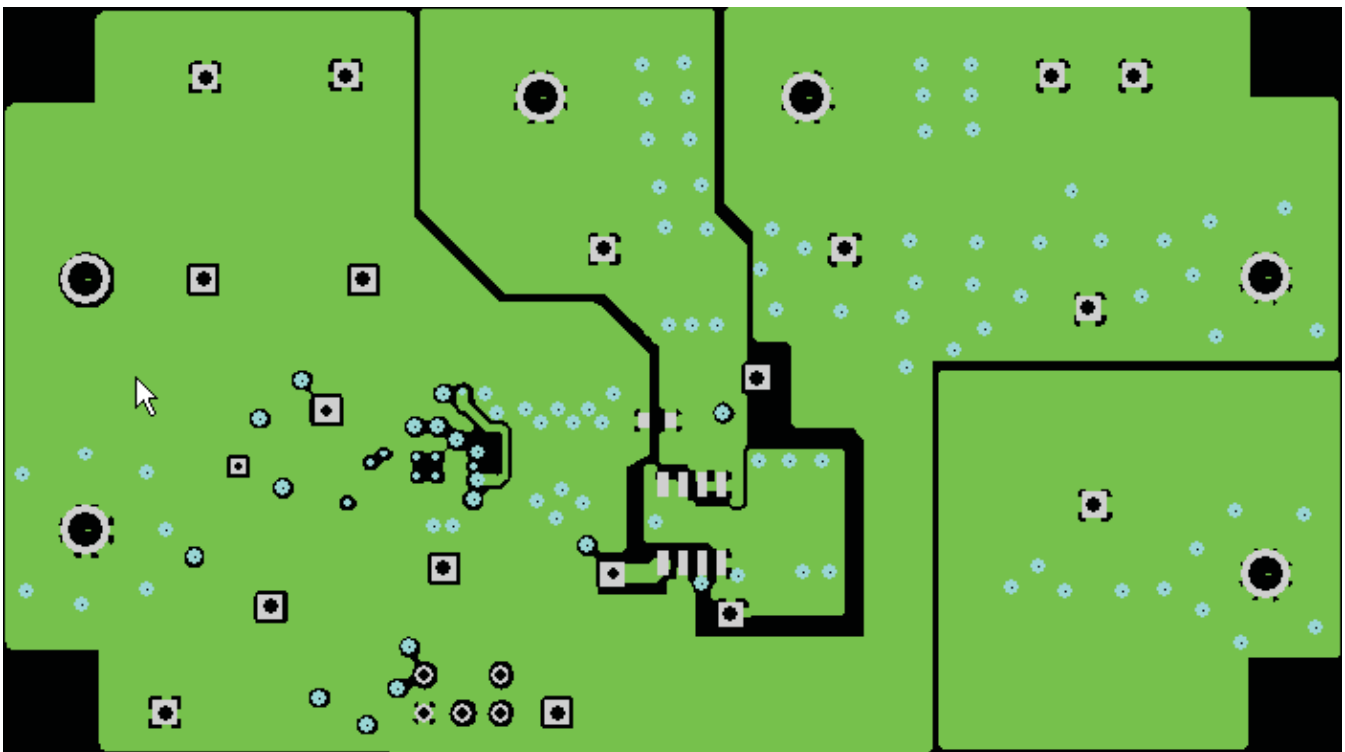


Figure 5. Bottom Layer Copper

1.6 Test Setup and Procedures

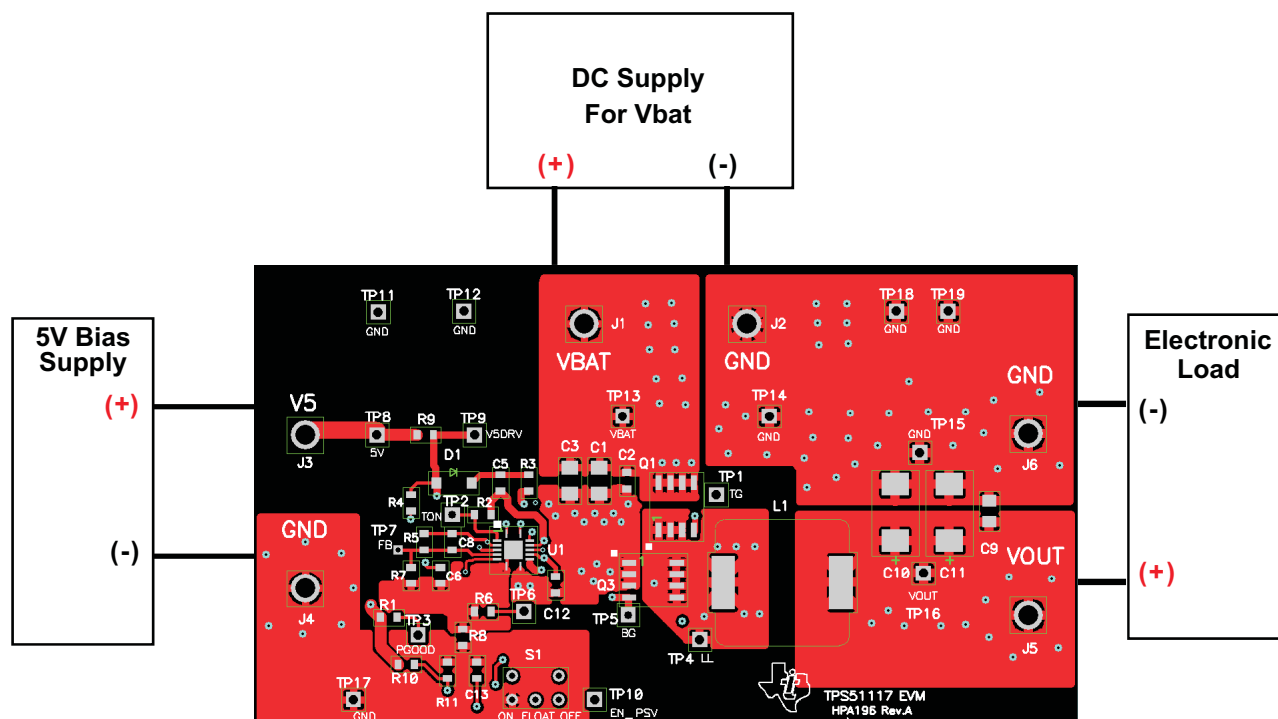


Figure 6. Test Setup

- **Standard Test Procedures**

- *Required Equipment:*
2 x Bench power supplies (5-V supply should be able to source ~ 1 A while Vbat supply ~ 5 A) + electronic load
- *EN_PSV Setting:*
EN_PSV = OFF, Converter is off.
EN_PSV = FLOAT, Converter is operating in forced PWM mode.
EN_PSV = ON, Converter is operating in Skip mode.
- *Bootstrap Diode:*
Bootstrap diode D1 is not populated on the current evaluation module because TPS51117 has a built-in bootstrap diode. In order to further improve the efficiency, D1 can be added.

EVALUATION BOARD/KIT IMPORTANT NOTICE

Texas Instruments (TI) provides the enclosed product(s) under the following conditions:

This evaluation board/kit is intended for use for **ENGINEERING DEVELOPMENT, DEMONSTRATION, OR EVALUATION PURPOSES ONLY** and is not considered by TI to be a finished end-product fit for general consumer use. Persons handling the product(s) must have electronics training and observe good engineering practice standards. As such, the goods being provided are not intended to be complete in terms of required design-, marketing-, and/or manufacturing-related protective considerations, including product safety and environmental measures typically found in end products that incorporate such semiconductor components or circuit boards. This evaluation board/kit does not fall within the scope of the European Union directives regarding electromagnetic compatibility, restricted substances (RoHS), recycling (WEEE), FCC, CE or UL, and therefore may not meet the technical requirements of these directives or other related directives.

Should this evaluation board/kit not meet the specifications indicated in the User's Guide, the board/kit may be returned within 30 days from the date of delivery for a full refund. **THE FOREGOING WARRANTY IS THE EXCLUSIVE WARRANTY MADE BY SELLER TO BUYER AND IS IN LIEU OF ALL OTHER WARRANTIES, EXPRESSED, IMPLIED, OR STATUTORY, INCLUDING ANY WARRANTY OF MERCHANTABILITY OR FITNESS FOR ANY PARTICULAR PURPOSE.**

The user assumes all responsibility and liability for proper and safe handling of the goods. Further, the user indemnifies TI from all claims arising from the handling or use of the goods. Due to the open construction of the product, it is the user's responsibility to take any and all appropriate precautions with regard to electrostatic discharge.

EXCEPT TO THE EXTENT OF THE INDEMNITY SET FORTH ABOVE, NEITHER PARTY SHALL BE LIABLE TO THE OTHER FOR ANY INDIRECT, SPECIAL, INCIDENTAL, OR CONSEQUENTIAL DAMAGES.

TI currently deals with a variety of customers for products, and therefore our arrangement with the user **is not exclusive**.

TI assumes **no liability for applications assistance, customer product design, software performance, or infringement of patents or services described herein.**

Please read the User's Guide and, specifically, the Warnings and Restrictions notice in the User's Guide prior to handling the product. This notice contains important safety information about temperatures and voltages. For additional information on TI's environmental and/or safety programs, please contact the TI application engineer or visit www.ti.com/esh.

No license is granted under any patent right or other intellectual property right of TI covering or relating to any machine, process, or combination in which such TI products or services might be or are used.

FCC Warning

This evaluation board/kit is intended for use for **ENGINEERING DEVELOPMENT, DEMONSTRATION, OR EVALUATION PURPOSES ONLY** and is not considered by TI to be a finished end-product fit for general consumer use. It generates, uses, and can radiate radio frequency energy and has not been tested for compliance with the limits of computing devices pursuant to part 15 of FCC rules, which are designed to provide reasonable protection against radio frequency interference. Operation of this equipment in other environments may cause interference with radio communications, in which case the user at his own expense will be required to take whatever measures may be required to correct this interference.

EVM WARNINGS AND RESTRICTIONS

It is important to operate this EVM within the input voltage range of 6 V to 21 V and the output voltage range of 0.75 V to 5.5 V.

Exceeding the specified input range may cause unexpected operation and/or irreversible damage to the EVM. If there are questions concerning the input range, please contact a TI field representative prior to connecting the input power.

Applying loads outside of the specified output range may result in unintended operation and/or possible permanent damage to the EVM. Please consult the EVM User's Guide prior to connecting any load to the EVM output. If there is uncertainty as to the load specification, please contact a TI field representative.

During normal operation, some circuit components may have case temperatures greater than 100°C. The EVM is designed to operate properly with certain components above 100°C as long as the input and output ranges are maintained. These components include but are not limited to linear regulators, switching transistors, pass transistors, and current sense resistors. These types of devices can be identified using the EVM schematic located in the EVM User's Guide. When placing measurement probes near these devices during operation, please be aware that these devices may be very warm to the touch.

Mailing Address: Texas Instruments, Post Office Box 655303, Dallas, Texas 75265
Copyright © 2006, Texas Instruments Incorporated

IMPORTANT NOTICE

Texas Instruments Incorporated and its subsidiaries (TI) reserve the right to make corrections, modifications, enhancements, improvements, and other changes to its products and services at any time and to discontinue any product or service without notice. Customers should obtain the latest relevant information before placing orders and should verify that such information is current and complete. All products are sold subject to TI's terms and conditions of sale supplied at the time of order acknowledgment.

TI warrants performance of its hardware products to the specifications applicable at the time of sale in accordance with TI's standard warranty. Testing and other quality control techniques are used to the extent TI deems necessary to support this warranty. Except where mandated by government requirements, testing of all parameters of each product is not necessarily performed.

TI assumes no liability for applications assistance or customer product design. Customers are responsible for their products and applications using TI components. To minimize the risks associated with customer products and applications, customers should provide adequate design and operating safeguards.

TI does not warrant or represent that any license, either express or implied, is granted under any TI patent right, copyright, mask work right, or other TI intellectual property right relating to any combination, machine, or process in which TI products or services are used. Information published by TI regarding third-party products or services does not constitute a license from TI to use such products or services or a warranty or endorsement thereof. Use of such information may require a license from a third party under the patents or other intellectual property of the third party, or a license from TI under the patents or other intellectual property of TI.

Reproduction of information in TI data books or data sheets is permissible only if reproduction is without alteration and is accompanied by all associated warranties, conditions, limitations, and notices. Reproduction of this information with alteration is an unfair and deceptive business practice. TI is not responsible or liable for such altered documentation.

Resale of TI products or services with statements different from or beyond the parameters stated by TI for that product or service voids all express and any implied warranties for the associated TI product or service and is an unfair and deceptive business practice. TI is not responsible or liable for any such statements.

TI products are not authorized for use in safety-critical applications (such as life support) where a failure of the TI product would reasonably be expected to cause severe personal injury or death, unless officers of the parties have executed an agreement specifically governing such use. Buyers represent that they have all necessary expertise in the safety and regulatory ramifications of their applications, and acknowledge and agree that they are solely responsible for all legal, regulatory and safety-related requirements concerning their products and any use of TI products in such safety-critical applications, notwithstanding any applications-related information or support that may be provided by TI. Further, Buyers must fully indemnify TI and its representatives against any damages arising out of the use of TI products in such safety-critical applications.

TI products are neither designed nor intended for use in military/aerospace applications or environments unless the TI products are specifically designated by TI as military-grade or "enhanced plastic." Only products designated by TI as military-grade meet military specifications. Buyers acknowledge and agree that any such use of TI products which TI has not designated as military-grade is solely at the Buyer's risk, and that they are solely responsible for compliance with all legal and regulatory requirements in connection with such use.

TI products are neither designed nor intended for use in automotive applications or environments unless the specific TI products are designated by TI as compliant with ISO/TS 16949 requirements. Buyers acknowledge and agree that, if they use any non-designated products in automotive applications, TI will not be responsible for any failure to meet such requirements.

Following are URLs where you can obtain information on other Texas Instruments products and application solutions:

Products		Applications	
Amplifiers	amplifier.ti.com	Audio	www.ti.com/audio
Data Converters	dataconverter.ti.com	Automotive	www.ti.com/automotive
DSP	dsp.ti.com	Broadband	www.ti.com/broadband
Interface	interface.ti.com	Digital Control	www.ti.com/digitalcontrol
Logic	logic.ti.com	Military	www.ti.com/military
Power Mgmt	power.ti.com	Optical Networking	www.ti.com/opticalnetwork
Microcontrollers	microcontroller.ti.com	Security	www.ti.com/security
RFID	www.ti-rfid.com	Telephony	www.ti.com/telephony
Low Power Wireless	www.ti.com/lpw	Video & Imaging	www.ti.com/video
		Wireless	www.ti.com/wireless

Mailing Address: Texas Instruments, Post Office Box 655303, Dallas, Texas 75265
Copyright © 2007, Texas Instruments Incorporated